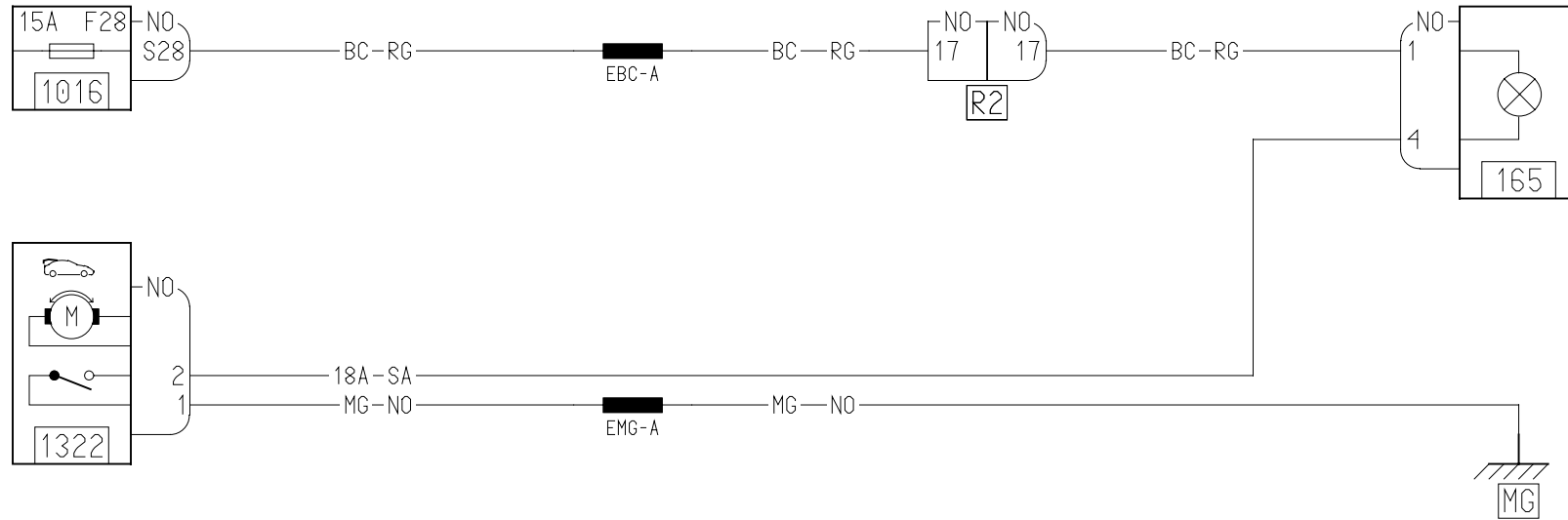


SOP01

H79
11



3-56